

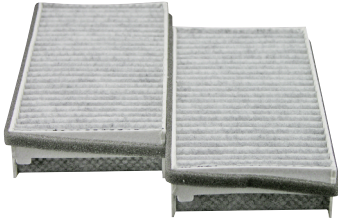
# CABIN AIR FILTER

## IDENTIFICATION / INSTALLATION

# GM

# PA4156 KIT

**Buick Rendezvous, Terraza;  
Chevrolet Uplander, Venture;  
Oldsmobile Silhouette APV;  
Pontiac Aztek, Montana, Montana SV6;  
Saturn Relay**



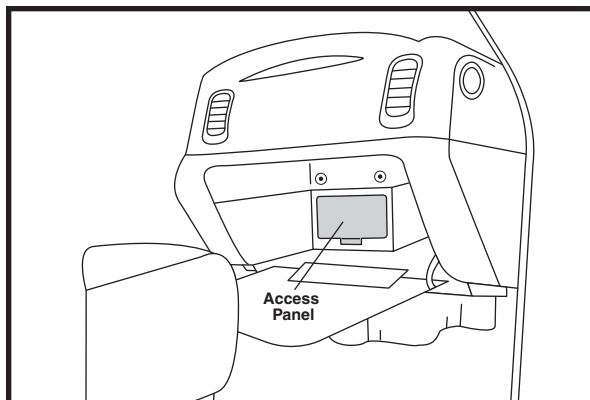
**OE:** 10302760, 10322538

**Fits:** 2002-07 Buick Rendezvous  
2005-07 Buick Terraza, Saturn Relay  
2005-09 Chevrolet Uplander, Pontiac Montana SV6  
2001-05 Chevrolet Venture, Pontiac Aztek, Montana  
2001-04 Oldsmobile Silhouette APV

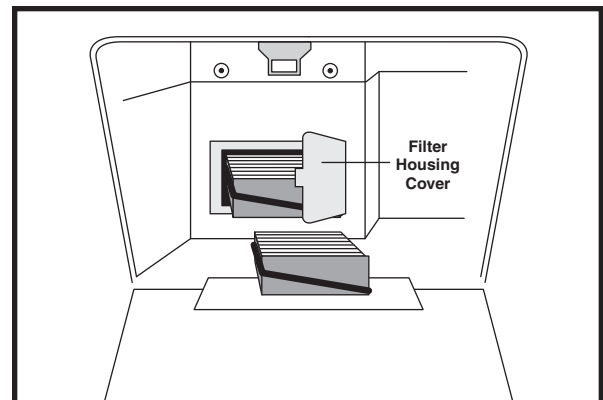
**Size:** 8 11/16 x 4 1/4 x 1 17/32  
(220.7 x 108.0 x 38.9)

**A. Gskt.:** [1] Attached

**Note:** Contains Charcoal Impregnated Media for Odor Control  
2 Required per Vehicle (Sold as Set of 2)



1. Open passenger side door.
2. Open glove compartment.
3. Remove access panel by pulling up and out.



4. Open filter housing cover by squeezing tab on left.
5. Remove first filter.
6. Slide second filter to the right and then out.
7. Replace filters in reverse order and reassemble. (Make sure foam is angled in same direction on both filters.)

**Notice:** The information provided is based on the latest authoritative information available at press time. However, due to manufacturers' changes, and year and model variations, Baldwin Filters cannot be responsible for misapplications and instruction errors.

**BALDWIN FILTERS®** **BALDWIN**  
a CLARCOR company

4400 East Highway 30 ■ P.O. Box 6010  
Kearney, Nebraska 68848-6010  
Phone: (308) 234-1951 ■ Toll Free: (800) 822-5394  
Fax: (800) 828-4453 ■ Int'l Fax: (308) 237-9769  
Internet: www.baldwinfilter.com