

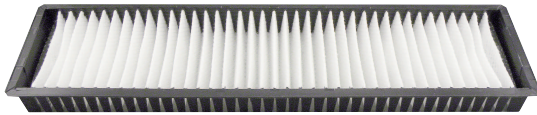
# CABIN AIR FILTER

## IDENTIFICATION / INSTALLATION

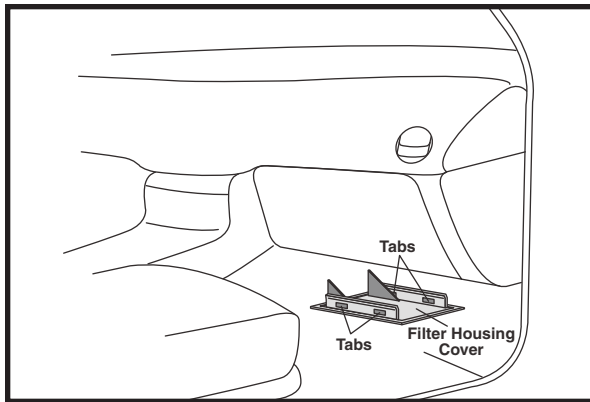
# IMPORTS

# PA4415

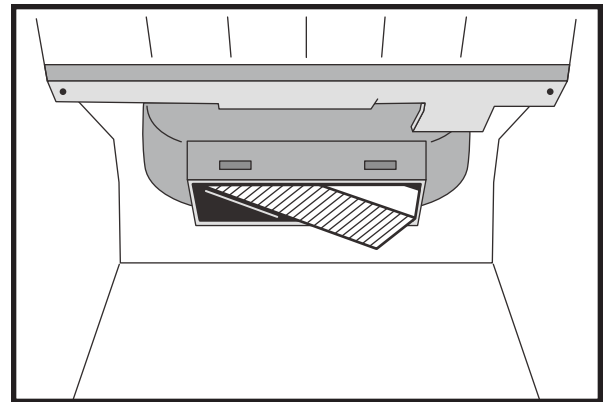
**MINI Cooper, Cooper S**



- OE:** 64311496710  
**Fits:** 2002-08 MINI Cooper, Cooper S  
**Size:** 18 9/16 x 4 21/32 x 1 3/8  
(471.5 x 118.3 x 34.9)  
**Note:** 2007-08 MINI Cooper, Cooper S with  
W108B164 Engine



1. Open passenger side door.
2. Unsnap tabs on back of filter housing cover located under glove compartment.
3. Slide filter housing cover forward to unsnap tabs in front.
4. Remove filter housing cover.



5. Remove filter by sliding out along the rails in the housing.
6. Replace filter and reassemble.

**Notice:** The information provided is based on the latest authoritative information available at press time. However, due to manufacturers' changes, and year and model variations, Baldwin Filters cannot be responsible for misapplications and instruction errors.

**BALDWIN FILTERS**® **BALDWIN**  
a CLARCOR company

4400 East Highway 30 ■ P.O. Box 6010  
Kearney, Nebraska 68848-6010  
Phone: (308) 234-1951 ■ Toll Free: (800) 822-5394  
Fax: (800) 828-4453 ■ Int'l Fax: (308) 237-9769  
Internet: [www.baldwinfilter.com](http://www.baldwinfilter.com)